


FUTURA evolution



2 MODULES M1	Core	Cover
<p>Ⓐ</p> 	MOECCO1840	MOECCO1752
<p>Ⓓ</p> 	MOECCO5261	MOECCO1704
<p>Ⓑ</p> 	MOECCO1842	MOECCO1823
<p>Ⓒ</p> 	MOECCO1844	MOECCO1823
<p>Ⓐ</p> 	MOECCO5282	MOECCO1752
COUNTER PLATE 2 MODULES		Code
		MOECCO1468

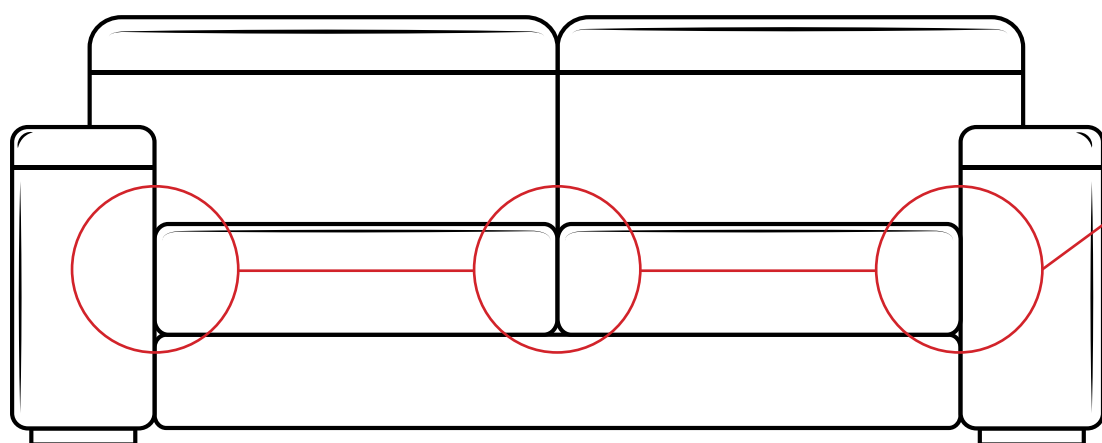
Motionitalia Design and quality Made in Italy

Headquarters: via Navicella 26, 47122 Forlì (FC) Tel.+39 0543 774768 Fax.+39 0543 79 84 09 www.motionitalia.com info@motionitalia.com

FUTURA evolution






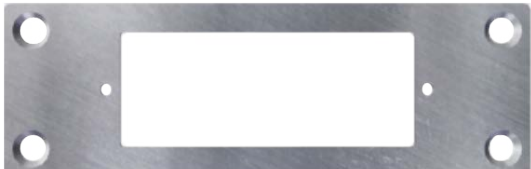
2 MODULES M1	Core	Cover
<p>Ⓔ</p> 	MOECCO1840	MOECCO6213-BR
<p>Ⓕ</p> 	MOECCO1840	MOECCO6213-SN



This variant of the remote control FUTURA evolution has been designed to be placed between the padding of the seats (pillows), hidden then to the view, in order to maintain minimal aesthetics of the padded.

FUTURA evolution



2 MODULES M1 WITH USB	Core	Cover	Control box
<p>Ⓐ</p> 	MOECCO1841	MOECCO1752	MOKCCO1837
<p>Ⓑ</p> 	MOECCO1843	MOECCO1823	MOKCCO1837
<p>Ⓒ</p> 	MOECCO1845	MOECCO1823	MOKCCO1837
COUNTER PLATE 2 MODULES			Code
			MOECCO1468

FUTURA evolution



2 MODULES M2	Core	Cover
<p>Ⓐ</p> 	MOECCO1751	MOECCO1752
<p>Ⓓ</p> 	MOECCO1703	MOECCO1704
<p>Ⓑ</p> 	MOECCO1821	MOECCO1823
<p>Ⓒ</p> 	MOECCO1822	MOECCO1823
<p>Ⓖ</p> 	MOECCO06496	MOECCO6087
COUNTER PLATE 2 MODULES		Code
		MOECCO1468

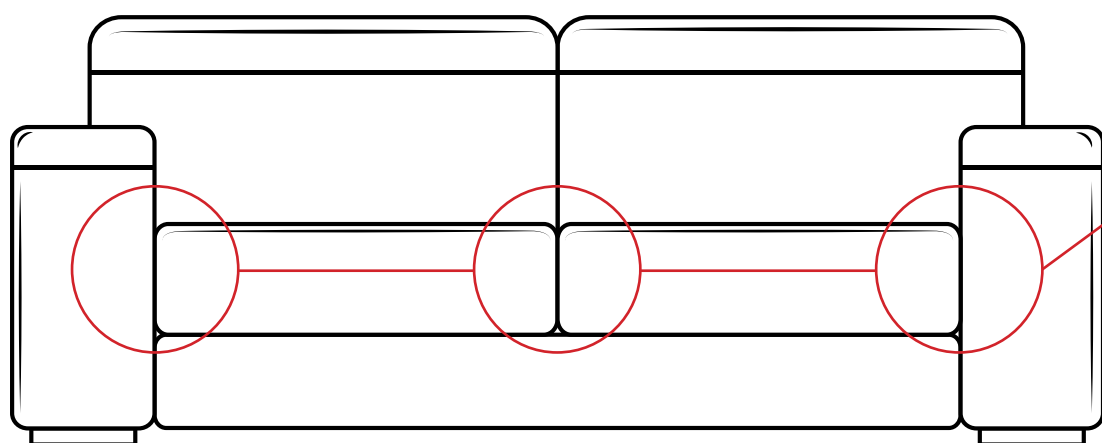
Motionitalia Design and quality Made in Italy

Headquarters: via Navicella 26, 47122 Forlì (FC) Tel.+39 0543 774768 Fax.+39 0543 79 84 09 www.motionitalia.com info@motionitalia.com

FUTURA evolution



2 MODULES M2	Core	Cover
<p>Ⓔ</p> 	MOECCO1751	MOECCO6213-BR
<p>Ⓕ</p> 	MOECCO1751	MOECCO6213-SN



This variant of the remote control FUTURA evolution has been designed to be placed between the padding of the seats (pillows), hidden then to the view, in order to maintain minimal aesthetics of the padded.

FUTURA evolution



3 MODULES M2 WITH USB	Core	Cover	Control box
<p>Ⓐ</p> 	MOECCOS2994	MOECCO5017	MOKCCO1819
<p>Ⓑ</p> 	MOECCOS06549	MOECCOS5027	MOKCCO1819
<p>Ⓒ</p> 	MOECCOS5022	MOECCOS5027	MOKCCO1819
<p>Ⓓ</p> 	MOECCO5196	MOECCO5198	MOKCCO1819

COUNTER PLATE 3 MODULES	Code
	MOECCO5152

FUTURA evolution

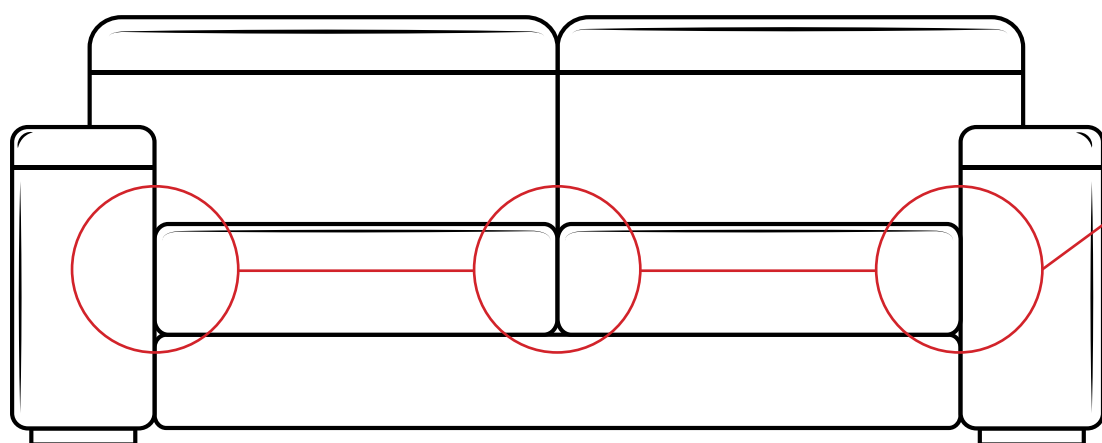


3 MODULES M3				Core	Cover	Control box	Cables
Ⓐ		MOECCOS2999	MOECCO5017	MOKCCO1488	MOECCO0548 (Q.ty. 3pz)		
Ⓒ		MOECCOS5026	MOECCOS5027	MOKCCO1488	MOECCO0548 (Q.ty. 3pz)		
COUNTER PLATE 3 MODULES						Code	
						MOECCO5152	

FUTURA evolution






3 MODULES M3	Core	Cover	Counter plate	Cables
<p>Ⓔ</p> 	MOECCOS2999	MOECCO6214-BR	MOKCCO1488	MOECCO0548 (Q.ty. 3pz)
<p>Ⓕ</p> 	MOECCOS5026	MOECCO6214-SN	MOKCCO1488	MOECCO0548 (Q.ty. 3pz)



This variant of the remote control FUTURA evolution has been designed to be placed between the padding of the seats (pillows), hidden then to the view, in order to maintain minimal aesthetics of the padded.

FUTURA evolution




4 MODULES M2 WITH USB			Core	Cover	Control box
Ⓐ		MOECCO1789	MOECCO1605	MOKCCO1819	
Ⓓ		MOECCO5197	MOECCO5199	MOKCCO1819	
COUNTERPLATE 4 MODULES				Code	
				MOECCO1469	

FUTURA evolution



DESIGN IN MOVIMENTO

4 MODULES M3 WITH USB	Core	Cover	Control box	Cables
<p>Ⓐ</p> 	MOECCO1604	MOECCO1605	MOKCCO1488	MOECCO0548 (Q.ty. 3pz)

COUNTER PLATE 4 MODULES	Code
	MOECCO1469

FUTURA evolution




2 MODULES M1	Core	Cover	Control box
(A) 	MOECCOS2663	MOECCO1752	EKOLOGIC according to the functions required
(B) 	MOECCOS2667	MOECCO1823	EKOLOGIC according to the functions required
(C) 	MOECCOS2669	MOECCO1823	EKOLOGIC according to the functions required

COUNTER PLATE 2 MODULES	Code
	MOECCO1468

FUTURA evolution



DESIGN IN MOVIMENTO

2 MODULES M1 WITH USB	Core	Cover	Control box
<p>©</p> 	<p>MOECCOS6113</p>	<p>MOECCO1823</p>	<p>EKOLOGIC according to the functions required</p>

COUNTER PLATE 2 MODULES	Code
	<p>MOECCO1468</p>

FUTURA evolution




2 MODULES M2	Core	Cover	Control box
(A) 	MOECCOS2664	MOECCO1752	EKOLOGIC according to the functions required
(D) 	MOECCOS2666	MOECCO1704	EKOLOGIC according to the functions required
(B) 	MOECCOS2668	MOECCO1823	EKOLOGIC according to the functions required
(C) 	MOECCOS2671	MOECCO1823	EKOLOGIC according to the functions required

COUNTER PLATE 2 MODULES	Code
	MOECCO1468

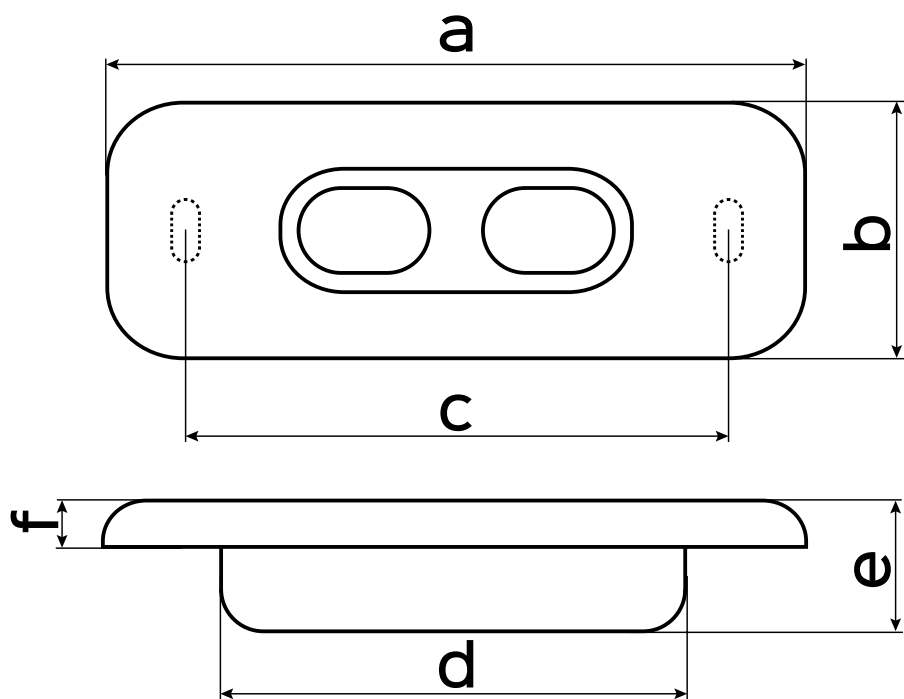
FUTURA evolution



2 MODULES M1 WITH WARMING	Core	Cover	Control box
<p>©</p> 	MOECCOS6252	MOECCO1823	EKOLOGIC according to the functions required

COUNTER PLATE 2 MODULES	Code
	MOECCO1468

DIMENSIONS



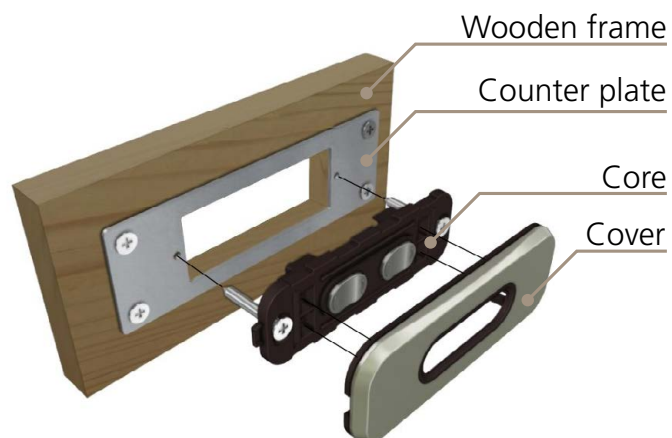
2modules configuration:
a=100 b=37 c=82 d=70 e=28 f=7

3modules configuration:
a=126 b=37 c=108 d=95 e=28 f=7

4modules configuration:
a=152 b=37 c=133 d=121 e=28 f=7

Dimensions: mm

ASSEMBLY



FINISHES	
<p>Ⓐ</p> 	<p>Core: Brown Buttons: Satin nickel Cover: Satin nickel/brown</p>
<p>Ⓑ</p> 	<p>Core: Transparent Buttons: Satin nickel Cover: Satin nickel/Transparent Backlight: White</p>
<p>Ⓒ</p> 	<p>Core: Transparent Buttons: Satin nickel Cover: Satin nickel/Transparent Backlight: Blue</p>
<p>Ⓓ</p> 	<p>Core: Black Buttons: Chrome Cover: Silver/Black</p>
<p>Ⓔ</p> 	<p>Core: Brown Buttons: Satin nickel Cover: Brown</p>
<p>Ⓕ</p> 	<p>Core: Brown Buttons: Satin nickel Cover: Satin nickel</p>
<p>Ⓖ</p> 	<p>Core: Black Buttons: Satin nickel Cover: Soft touch black</p>