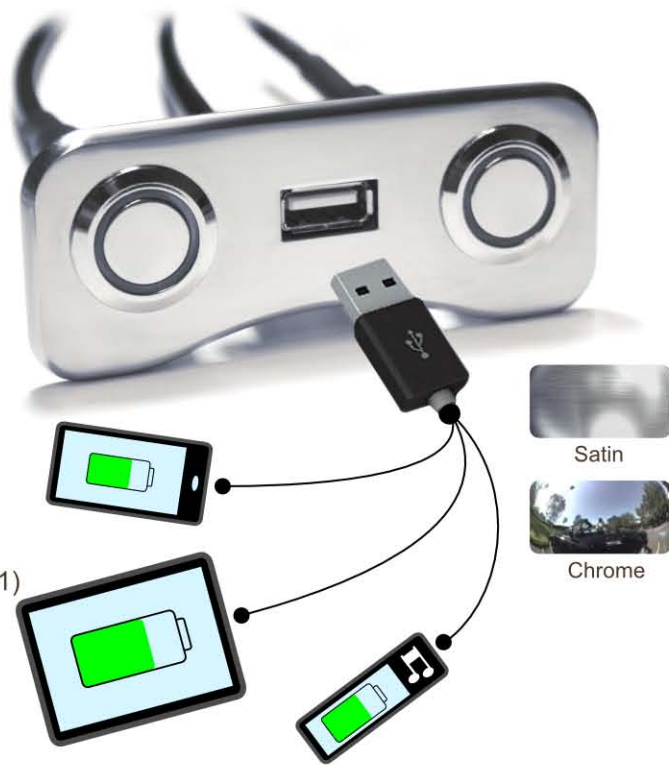


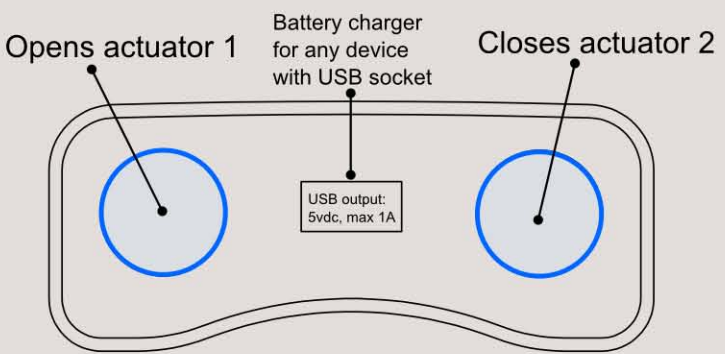
Plate 2T

Caratteristiche tecniche

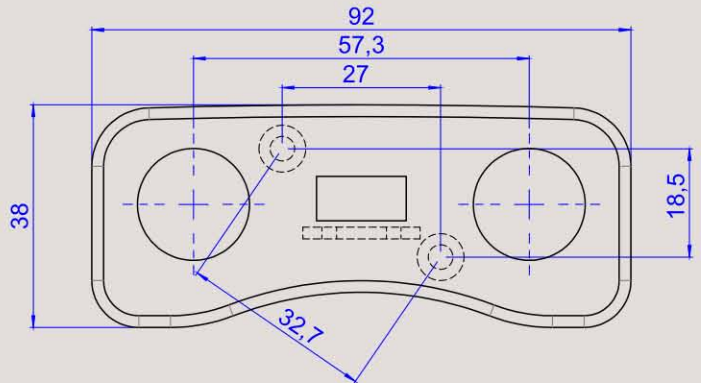
- Button: 2
- Input: 29Vdc, 2A
- Suitable for one actuator
- USB Input: 29Vdc, max 200 mA**
- USB Output: 5Vdc, max 1A**
- Plate type: Satin.....(cod:PROT01245-V01)
- Chrome.....(cod:ME6680016)
- Available backlit keys in color: Blue.....(cod:KE8170003)
- White.....(cod:KE8170004)
- Mounting accessories: Fixing plate(cod:KE8230006)
- Threaded rod M5x55mm.....(cod:FE9390046)
- Fixing flyers.....(cod:FE4540015)



Standard functions



Geometric features



Assembly

